A large, stylized red 'X' logo composed of four overlapping triangles, centered in the upper half of the image. The background is black with white diagonal lines.

www.tradexper.com



**CONCRETE
MACHINERY**

TRADEXPER

ABOUT US

At this times, many foreign trade companies focus on finding and exporting products. As Tradexper, we aim to supply you with the most suitable service or product by conducting specific research on your demands and your sector with our professional team. In this context, **we prefer to serve in sectors in which we are experienced.** Many companies may encounter wrong products or services in their international procurement processes.

Tradexper team aims to help you with **optimum efficiency in the products and services we have researched for you,** based on your company-specific criteria (cost, quality, time, technical features). While building a bridge between you and your supplier, **it acts professionally like a buyer company, not like an intermediary company.**

**Tradexper is your
branch in Turkey!**

tradexper.com



TXP
1001



S VALVE 2018N

TXP
1002



WEAR SLEEVE

TXP
1003



S VALVE SHAFT Ø80

TXP
1004



WEAR RING DN 200 DURO22

TXP
1005



SHAFT FOR S VALVE Ø80

TXP
1006



S VALVE Ø90

TXP
1007



WEAR SLEEVE

TXP
1008



S VALVE SHAFT Ø90

TXP
1009



WEAR PLATE HOUSING

TXP
1010



SHAFT FOR S VALVE Ø80

TXP
1011



WEAR RING WITH WELDING
DN230/260

TXP
1012



THRUST RING WITH STEEL

TXP
1013



WEAR RING DN230

TXP
1014



THRUST RING WITHOUT STEEL

TXP
1015



SLEWING LEVER Ø80

TXP
1016



SLEWING LEVER Ø90

TXP
1017



SECURING PLATE DN 200

TXP
1018



HEXAGONAL NUT

TXP
1019



BALL CUP Ø60

TXP
1020



WASHER

TXP
1021



OUTLER HOSTING

TXP
1022



COMPLETE OUTLER HOSTING

TXP
1023



SEAL SET FOR OUTER HOUSING

TXP
1024



DISCHARGE SUPPORT

TXP
1025



BALL CUP RING

TXP
1026



SCRAPER RING

TXP
1027



OUTER HOUSING NEW TYPE

TXP
1028



COMPLETE OUTER HOUSING NEW TYPE

TXP
1029



SEAL SET FOR OUTER HOUSING NEW TYPE

TXP
1030



O RING

TXP
1031



GUIDE BAND

TXP
1032



NUTRING

TXP
1033



COMPLETE UPPER HOUSING Ø80

TXP
1034



SUPPORT FLANGE Ø80

TXP
1035



WEAR SLEEVE Ø80

TXP
1036



DISC

TXP
1037



BUSH

TXP
1038



SEAL SET FOR Ø80 UPPER HOUSING

TXP
1039



COMPLETE UPPER HOUSING Ø90

TXP
1040



SUPPORT FLANGE Ø90

TXP
1041



DISC

TXP
1042



SEAL SET FOR Ø90 UPPER HOUSING

TXP
1043



WEAR SLEEVE Ø90

TXP
1044



BUSH

TXP
1045



PLUNGER CYLINDER Ø60 x 160

TXP
1046



PLUNGER TUBE Ø60

TXP
1047



PLUNGER CYLINDER Ø60 x 160 ONE HOLE

TXP
1048



SECURING PLATE

TXP
1049



SEAL SET Ø60

TXP
1050



PISTON ROD Ø60

TXP
1051



PLUNGER CYLINDER Ø80 x 160

TXP
1052



PLUNGER TUBE Ø80

TXP
1053



PLUNGER CYLINDER Ø80 x 200

TXP
1054



PLUNGER TUBE Ø80 x 200

TXP
1055



SEAL SET Ø80

TXP
1056



PISTON ROD Ø80

TXP
1057



PLUNGER CYLINDER Ø60 x 160

TXP
1058



PLUNGER TUBE Ø60

TXP
1059



PLUNGER CYLINDER Ø60 x 160 ONE HOLE

TXP
1060



PISTON ROD Ø60

TXP
1061



SEAL SET Ø60

TXP
1062



SECURING PLATE

TXP
1063



PLUNGER CYLINDER Ø80 x 160

TXP
1064



PLUNGER TUBE Ø80 x 160

TXP
1065



COVER

TXP
1066



SEAL SET Ø80

TXP
1067



CONNECTION BLOCK

TXP
1068



PISTON ROD Ø80 x 200

TXP
1069



ERGONIC HOPPER RS909

PUTZMEISTER

Spare Parts For Concrete Pump & Mixer

TRADEXPER

TXP1069
-1



ERGONIC HOPPER RS909 COMPLETE

TXP
1070



VIBRATOR

TXP
1071



GRILL

TXP
1072



GRILL NEW TYPE

TXP
1073



HOPPER COVER

TXP
1074



SLIDE

TXP
1075



RUBBER FOR HOPPER 25 MT

TXP
1076



RUBBER BUFFER

**TXP
1077**



CLAMPING PIECE RIGHT

**TXP
1078**



CLAMPING PIECE LEFT

**TXP
1079**



RUBBER BUFFER 50 x 30

**TXP
1080**



RUBBER BUFFER

**TXP
1081**



SEAL FOR SLIDE

**TXP
1082**



MOUNTING BOLT

**TXP
1083**



WEDGE

**TXP
1084**



COMPLETE SET

TXP
1085



COMPLETE BEARING FLANGE Ø60

TXP
1086



BEARING FLANGE Ø60

TXP
1087



RUBBER DISC Ø60

TXP
1088



FITTING FOR BEARING FLANGE

TXP
1089



BUSH

TXP
1090



O RING

TXP
1091



COMPLETE BEARING FLANGE Ø50

TXP
1092



BEARING FLANGE Ø50

TXP
1093



O RING

TXP
1094



RUBBER DISC Ø50

TXP
1095



BUSH Ø50

TXP
1096



WASHER

TXP
1097



COMPLETE BEARING FLANGE Ø40

TXP
1098



BEARING FLANGE Ø40

TXP
1099



BUSH Ø40

TXP
1100



RUBBER DISC Ø40

TXP
1101



O RING

TXP
1102



FITTING FOR BEARING FLANGE

TXP
1103



COMPLETE BEARING FLANGE

TXP
1104



BEARING FLANGE

TXP
1105



BUSH

TXP
1106



O RING

TXP
1107



SEAL

TXP
1108



RUBBER DISC

TXP
1109



COMPLETE BEARING FLANGE CLOSED

TXP
1110



BEARING FLANGE CLOSED

TXP
1111



FLANGE

TXP
1112



TORQUE SUPPORT

TXP
1113



RUBBER DISC Ø40

TXP
1114



FITTINGS FOR BEARING FLANGE

**TXP
1115**



HYDRAULIC PUMP

**TXP
1116**



SEAL SET FOR OEM HYDRAULIC MOTOR OMH 500

**TXP
1117**



SHAFT FOR OEM HYDRAULIC MOTOR OMH 500

**TXP
1118**



HYDRAULIC PUMP

**TXP
1119**



SHAFT FOR HYDRAULIC MOTOR

**TXP
1120**



CONTROL BLOCK

**TXP
1121**



MIXER SHAFT MIDDLE 88 cm

**TXP
1122**



MIXER SHAFT MIDDLE 95 cm

**TXP
1123**



MIXER SHAFT Ø60 x 250

**TXP
1124**



MIXER SHAFT Ø60 x 285

**TXP
1125**



MIXER SHAFT Ø45

**TXP
1126**



MIXER SHAFT Ø60 x 345

PUTZMEISTER

Spare Parts For Concrete Pump & Mixer

TRADEXPER

TXP
1127



MIXER SHAFT Ø50 x 250

TXP
1128



MIXER SHAFT Ø50 x 285

129

TXP
1129



MIXING PADDLE LEFT

TXP 0
1130



MIXING PADDLE RIGHT

TXP
1131



CONVEYING FROM RIGHT

TXP
1132



CONVEYING FROM LEFT

TXP
113



MIXING PADDLE LEFT HARD WELDED

TXP
113



MIXING PADDLE RIGHT HARD WELDED

**TXP
1135**



HYDRAULIC CYLINDER

**TXP
1136**



PISTON ROD

**TXP
1137**



CYLINDER BARREL

**TXP
1138**



JOINT HEAD JOINT HEAD COMPLETE

**TXP
1139**



LID

**TXP
1140**



RADIAL PIVOT BEARING

**TXP
1141**



CYLINDER SEAL SET

**TXP
1142**



GUIDE BUSH

TXP
1143



HOPPER

TXP
1144



INTERMEDIATE RING

TXP
1145



INTERMEDIATE RING NEW TYPE

TXP
1146



INTERMEDIATE RING

TXP
1147



INTERMEDIATE RING

**TXP
1148**



SPECTACLE WEAR PLATE

**TXP
1149**



SPECTACLE WEAR PLATE

**TXP
1150**



SPECTACLE WEAR PLATE

**TXP
1151**



SPECTACLE WEAR PLATE

**TXP
1152**



SPECTACLE WEAR PLATE

**TXP
1153**



SPECTACLE WEAR PLATE

**TXP
1154**



SPECTACLE WEAR PLATE PUMI

**TXP
1155**



WEAR RING

**TXP
1156**



THRUST RING Ø200

**TXP
1157**



WEAR RING Ø230

**TXP
1158**



THRUST RING Ø230

**TXP
1159**



WEAR RING ERGONIC Ø230

**TXP
1160**



THRUST RING Ø230

**TXP
1161**



WEAR RING

**TXP
1162**



O RING

TXP
1172



WEAR RING Ø200

TXP
1173



THRUST RING Ø200

TXP
1174



WEAR RING

TXP
1175



O RING

TXP
1176



PRESSURE PLATE

TXP
1177



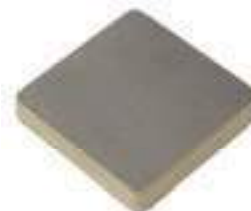
WEAR PLATE

TXP
1178



WEAR PLATE

TXP
1179



WEAR STRIP

TXP
1166



PISTON RAM Ø230

TXP
1167



PISTON RAM Ø230-NBR MULTI

TXP
1168



PISTON RAM DN180

TXP
1169



PISTON RAM DN200

TXP
1170



SPACER FLANGE

TXP
1171



SPACER FLANGE

TXP
1163



SEAL FOR PISTON RAM DN 180
SEAL FOR PISTON RAM DN 200
SEAL FOR PISTON RAM DN 230
SEAL FOR PISTON RAM DN 250
SEAL FOR PISTON RAM DN 280

TXP
1164



SEAL FOR PISTON RAM DN 180
SEAL FOR PISTON RAM DN 200
SEAL FOR PISTON RAM DN 230
SEAL FOR PISTON RAM DN 250
SEAL FOR PISTON RAM DN 280

TXP
1165



SEAL FOR PISTON RAM DN 180
SEAL FOR PISTON RAM DN 200
SEAL FOR PISTON RAM DN 230
SEAL FOR PISTON RAM DN 250
SEAL FOR PISTON RAM DN 280

**TXP
118**



PUMPING CYLINDER 200 x 2100

**TXP
1181**



PUMPING CYLINDER 250 x 2310

**TXP
1182**



PUMPING CYLINDER 280 x 2355

**TXP
1183**



FOOT BEARING

**TXP
1184**



BUSH 350x355x077 DU-B NUT

**TXP
1185**



BUSH 275x280x077 DU NUT

**TXP
1186**



BUSH 290x295x060 DU NUT

**TXP
1187**



BUSH 288x293x45 DU NUT

**TXP
1188**



HALF RING

**TXP
1189**



BUSH 288x293x45

**TXP
1190**



BUSH 288x293x45

TXP
1191



HYDRAULIC CYLINDER 130 x 80 2100

TXP
1192



CYLINDER BARREL

TXP
1193



CYLINDER ROD Q4 5 MM L-1178MM

TXP
1194



GUIDE BUSHING

TXP
1195



HEAD FLANGE

TXP
1196



GUIDE BUSHING

TXP
1197



HEAD FLANGE

TXP
1198



COMPLETE PISTON Ø80

TXP
1199



PISTON Ø80

TXP
1200



PISTON RING THICK Ø110 / 63

TXP
1201



PISTON RING THIN Ø110 / 63

TXP
1202



SEAL SET Ø80

TXP
1203



COMPLETE SEAL SET Ø63

TXP
1204



GEAR BOX G64

TXP
1205



SPLINED SHAFT G64

TXP
1206



CLUTCH SHAFT

TXP
1207



SPLINED SHAFT G61

TXP
1208



DRIVING PINION G61

TXP
1209



SWITCH FORK G61

TXP
1210



SWITCH FORK G64

TXP
1211



PISTON

TXP
1212



PISTON

TXP
1213



SWITCHING CYLINDER

TXP
1214



COUPLING

TXP
1215



INPUT SHAFT G64

TXP
1216



COUPLING PLECE

TXP
1217



HOPPER COMPLETE FOR Ø80 S VALVE

TXP
1218



CLAMP COUPLING 6"

TXP
1219



WEDGE

TXP
1220



CLAMP COUPLING 5.5" NEW TYPE

TXP
1221



RUBBER FOR HOPPER

TXP
1222



REDUCTION ELBOW

TXP
1223



6" ELBOW ZXM/ZXV

TXP
1224



ELBOW 90 DEGREE 5"

TXP
1225



O RING

TXP
1226



CLAMP COUPLING 6"

**TXP
1227**



ELBOW 10 DEGREE 5.5"

**TXP
1228**



ELBOW 15 DEGREE 5.5"

**TXP
1229**



ELBOW 20 DEG. LONG

**TXP
1230**



ELBOW 30 DEGREE 5.5"

**TXP
1231**



ELBOW 45 DEGREE SHORT TYPE

**TXP
1232**



ELBOW 45 DEG. LONG

**TXP
1233**



ELBOW 90 DEGREE 5.5"

**TXP
1234**



ELBOW 90 DEGREE SHORT TYPE

TXP
1235



S PIPE

TXP
1236



ELBOW 90 DEGREE R=1000

TXP
1237



ELBOW 90 DEGREE SHORT TYPE

TXP
1238



ELBOW 45 DEGREE LONG

**TXP
1239**



REDUCER 200 mm

**TXP
1240**



REDUCTION 100 mm

**TXP
1241**



ELBOW 20 DEG. LONG

**TXP
1242**



REDUCER PIPE 2163 mm

**TXP
1243**



REDUCER PIPE 1200 mm

**TXP
1244**



REDUCER PIPE 1200 mm

TXP
1245



5,5" DELIVERY TUBE 3000 mm

TXP
1246



SPORT PLATE

TXP
1247



STAIRS LEFT

TXP
1248



4,5" FLANGE

TXP
1249



5,5" FLANGE

TXP
1250



5,5" FLANGE HEAD TYPE

TXP
1251



SEAL: 2,5", 3", 3,5", 4", 4,5", 5", 5,5", 6", 8", 10"

TXP
1252



"V" LIP SEAL: 4,5", 5,5"

TXP
1253



LIP SEAL: 5,5"

TXP
1254



CLEANING BALLS 4"
CLEANING BALLS 5"
CLEANING BALLS 6"

**TXP
1255**



CLAMP COUPLING 5.5"

**TXP
1256**



MOUNTING COUPLING 5.5"

**TXP
1257**



SCREW COUPLING SK 5.5"

**TXP
1258**



SCREW MOUNTING COUPLING 5.5"

**TXP
1259**



SCREW COUPLING 6"

**TXP
1260**



MOUNTING COUPLING 6"

**TXP
1261**



RELAY 24VDC

**TXP
1262**



TIGHTENING STRAP

63

TXP
1263



CLAMP COUPLING 6"

TXP
1264



CLAMP COUPLING 6"

TXP
1265



CLAMP COUPLING

TXP
1266



U CLAMP

TXP
1267



WEDGE

TXP
1268



WEDGE

TXP
1269



MOUNTING COUPLING

TXP
1270



DOUBLE BOOM CLAMP

PUTZMEISTER

Spare Parts For Concrete Pump & Mixer

TRADEXPER

TXP
1271



ACCUMULATOR 4 LT

TXP
1272



BLADDER 4 LT

TXP
1273



ACCUMULATOR 6 LT

TXP
1274



BLADDER 6 LT

TXP
1275



ACCUMULATOR 10 LT

TXP
1276



ACCUMULATOR 10 LT

TXP
1277



HOSE CLIP

TXP
1278



TEMPERATURE TRANSMITTER

**TXP
1279**



TEMPERATURE TRANSMITTER

**TXP
1280**



TEMPERATURE TRANSMITTER

**TXP
1281**



OIL RADIATOR

**TXP
1282**



OIL COOLER COMPLETE

**TXP
1283**



FAN 12"

**TXP
1284**



FAN 11"

**TXP
1285**



ELECTRICAL GREASE PUMP 3,3 LT

**TXP
1286**



FAN 10"

**TXP
1287**



FILTER

**TXP
1288**



FILTER

**TXP
1289**



FILTER

**TXP
1290**



FILTER

**TXP
1291**



FILTER

**TXP
1292**



FILTER

**TXP
1293**



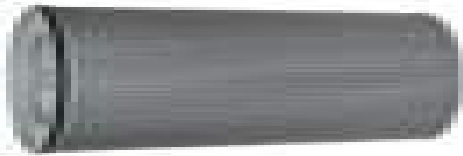
FILTER

**TXP
1294**



FILTER

TXP
1295



FILTER

TXP
1296



FLUSHING WATER PUMP WITH MOTOR

TXP
1297



FILTER

TXP
1298



FLUSHING WATER PUMP WITHOUT MOTOR

TXP
1299



FILTER

TXP 0
1300



HYDRAULIC PUMP

**TXP
1301**



HYDRAULIC PUMP

**TXP
1302**



HYDRAULIC PUMP A2FO16

**TXP
1303**



HYDRAULIC PUMP L A7V28(24)DR

**TXP
1304**



HYDRAULIC PUMP

**TXP
1305**



HYDRAULIC PUMP R 14 CM

**TXP
1306**



HYDRAULIC PUMP A4VO

**TXP
1307**



HYDRAULIC PUMP

**TXP
1308**



HYDRAULIC PUMP A4VG145

**TXP
1309**



BOOM CONTROL BLOCK HHVP6-24V

**TXP
1310**



MIXING VALVE

**TXP
1311**



XXX

**TXP
1312**



CONTROL PRESS REGULATOR-MONOBLOCK

**TXP
1313**



DIRECT CONTROL BLOCK LEFT 4+V

**TXP
1314**



FLUSHING VALVE

**TXP
1315**



HYDRAULIC CONTROL 24V/FFH

**TXP
1316**



HYDRA MOTOR A2F16

TXP
1317



HYDRAULIC PUMP R A4VG125EP

TXP
1318



MAIN PUMP A4VG125

TXP
1319



HYDRAULIC PUMP R A4VG180EP

TXP
1320



LUBRICANT DISTRUBUTOR

TXP
1321



OPERATING HOURS METER 12/24V

TXP
1322



PREASSURE GAUGE 400 BAR

TXP
1323



PRESSURE GAUGE 400 BAR

TXP
1324



PRESSURE GAUGE 60 BAR

**TXP
1325**



CARRYING BELT

**TXP
1326**



SOLENOID 24 Vs

**TXP
1327**



BATTERY

**TXP
1328**



BATTERY 4,2

**TXP
1329**



BATTERY

**TXP
1330**



BATTERY 2100 AMPER

**TXP
1331**



SOLENOID COIL 24 V

**TXP
1332**



BATTERY CHARGER

**TXP
1333**



RADIO REMOTE CONTROL PROP

**TXP
1334**



RADIO REMOTE CONTROL PROP

**TXP
1335**



FILTER CARTRIDGE

**TXP
1336**



WATER PROTECTION CAP.

**TXP
1337**



HOUSING PART

**TXP
1338**



HOUSING PART

**TXP
1339**



REMOTE CONTROL CABLE 40 MT (32 POLES)

**TXP
1340**



BELLOW

TXP
1341



SWITCH BOX

TXP
1342



FLIP SWITCH

TXP
1343



FLIP SWITCH

TXP
1344



TOGGLE SWITCH 12A8V 4WECHS

TXP
1345



HW BOOM VALVE

TXP
1346



SWITCH

TXP
1347



MAGNETIC SWITCH M12X1

TXP
1348



LIMIT SWITCH

**TXP
1349**



4/3 WAY VALVE

**TXP
1350**



4/2 WAY VALVE

**TXP
1351**



4/2 WAY VALVE

**TXP
1352**



4/2 WAY VALVE

**TXP
1353**



HYDRAULIC CHECK VALVE

**TXP
1354**



PRESSURE GAUGE 60 BAR

**TXP
1355**



PRESSURE GAUGE 400 BAR

**TXP
1356**



4/3 WAY VALVE

TXP
1357



CONNECTION BOLT

TXP
1358



BALL COCK

TXP
1359



MECHANICAL SHUT OFF VALVE

TXP
1360



ENERGY GUIDING CHAIN

**TXP
2001**



ROCK VALVE

**TXP
2002**



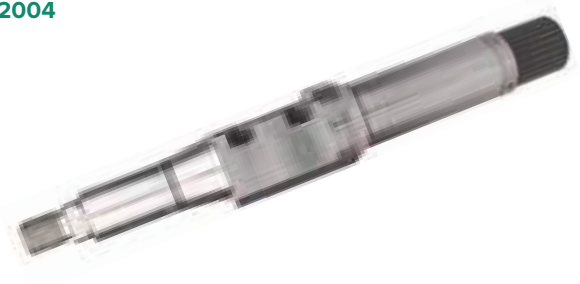
ROCK VALVE

**TXP
2003**



SLEWING SHAFT

**TXP
2004**



SLEWING SHAFT

**TXP
2005**



BACK UP RING DN 220

**TXP
2006**



BACK UP RING DN 210

**TXP
2007**



BASE PLATE

**TXP
2008**



BASE PLATE

**TXP
2009**



WEARING INSERT DN 250

**TXP
2010**



WEARING INSERT DN 200

**TXP
2011**



WEARING INSERT DN 230

**TXP
2012**



WEARING INSERT DN 180

**TXP
2013**



CUTTING RING DN 165

**TXP
2014**



CUTTING RING DN 180

**TXP
2015**



SEAL KIDNEY DN180

**TXP
2016**



SEAL KIDNEY DN150

**TXP
2017**



SETTING DISC

**TXP
2018**



TENSION NUT

**TXP
2019**



TENSION NUT

**TXP
2020**



HEXAGON HEAD BOLT DIN 931

**TXP
2021**



SLEWING LEVER DN 210

**TXP
2022**



LOCKING CAP DN 250

**TXP
2023**



CUTTING RING DN 210

**TXP
2024**



CUTTING RING DN 220

**TXP
2025**



CUTTING RING DN 230

**TXP
2026**



PRESSURE SPRING DN 165

**TXP
2027**



PRESSURE SPRING DN 220

**TXP
2028**



PRESSURE SPRING DN 230

**TXP
2029**



COVER

**TXP
2030**



SEALING COVER

**TXP
2031**



BEARING BUSHING WITH GREASE GROOVE

**TXP
2032**



BEARING BUSHING D 70/85X57

**TXP
2033**



BEARING BUSHING D 95/108X70

**TXP
2034**



SUPPORT BUSHING

**TXP
2035**



HOUSING LING DN135 OUTLET SIDE

**TXP
2036**



HOUSING LING DN180 OUTLET SIDE

**TXP
2037**



REDUCTION PIECE DN250/220

**TXP
2038**



TRANSITION PIECE WITH COLLAR DN230/210

**TXP
2039**



COVER LINING

**TXP
2040**



TRANSITION PIECE WITH COLLAR DN200/200

**TXP
2041**



BUSHING

**TXP
2042**



SUPPORT BUSHING

**TXP
2043**



SEAL - RING DN 250

**TXP
2044**



SEAL - RING DN 180

**TXP
2045**



CLAMP PIECE LEFT

**TXP
2046**



CLAMP PIECE RIGHT

**TXP
2047**



COVER

**TXP
2048**



BOLT 45 x 124

**TXP
2049**



BUSHING

**TXP
2050**



BUSHING

**TXP
2051**



SLEWING CYLINDER

**TXP
2052**



SLEWING CYLINDER

**TXP
2053**



SLEWING PIVOT

**TXP
2054**



BOLT

**TXP
2055**



CYLINDER SUPPORT

**TXP
2056**



SLEWING PIVOT

**TXP
2057**



SUPPORT BUSHING

**TXP
2058**



ARTICULATED BEARING

**TXP
2059**



CYLINDER

**TXP
2060**



PROTECTING TUBE

**TXP
2061**



BOLT

**TXP
2062**



CYLINDER HEAD

**TXP
2063**



CYLINDER HEAD

**TXP
2064**



TENSION RING

**TXP
2065**



PISTON ROD

**TXP
2066**



CONNECTION PIECE

**TXP
2067**



CONNECTION (REINFORCED) SW60

**TXP
2068**



CONNECTION PIECE

**TXP
2069**



CLAMP

**TXP
2070**



FLANGE COUPLING

**TXP
2071**



FLANGE COUPLING

**TXP
2072**



PUMPING CYLINDER DN200x2125

**TXP
2073**



PUMPING CYLINDER PIPE DN 200 X 1600

**TXP
2074**



PUMPING CYLINDER DN 230 X 2133

**TXP
2075**



PUMPING CYLINDER DN 250 X 2500

**TXP
2076**



PUMPING CYLINDER DN 180

**TXP
2077**



PUMPING CYLINDER 230 X 2000

**TXP
2078**



PUMPING CYLINDER DN 250 X 2500

**TXP
2079**



SEAL SET FOR SLEWING CYLINDER

**TXP
2080**



PISTON RAM DN 180

**TXP
2081**



PISTON RAM DN 200

**TXP
2082**



PISTON RAM DN 180

**TXP
2083**



PISTON RAM DN 200

**TXP
2084**



PISTON RAM DN 230

**TXP
2085**



PISTON RAM DN 250

**TXP
2086**



DIFFERENTIAL CYLINDER 1200-2023 125/80

**TXP
2087**



DIFFERENTIAL CYLINDER 2023 130/80x2000

**TXP
2088**



DIFFERENTIAL CYLINDER 2525 120/85x2500

**TXP
2089**



DIFFERENTIAL CYLINDER 110/63

**TXP
2090**



CYLINDER BLOCK

**TXP
2091**



CYLINDER WELD 2023 120x2000

**TXP
2092**



CYLINDER WELD 1200-2020-2023

**TXP
2093**



CYLINDER WELD 2023 130x2000

**TXP
2094**



CYLINDER WELD 2525 120x2500

**TXP
2095**



PISTON ROD 80 X 1892/16-50

**TXP
2096**



PISTON ROD 1200-2020-23 80

**TXP
2097**



PISTON ROD 2525 85 x 2792

**TXP
2098**



PISTON ROD 63 X 1810

**TXP
2099**



PISTON ROD 75 X 2292/16-50

**TXP
2100**



HYDRAULIC PISTON

**TXP
2101**



HYDRAULIC PISTON 120/80

**TXP
2102**



HYDRAULIC PISTON 125/80

**TXP
2103**



HYDRAULIC PISTON 130/80

**TXP
2104**



PISTON RING

**TXP
2105**



PISTON RING 125*4

**TXP
2106**



GUIDE BUSHING

**TXP
2107**



DISC 120/80, DISC 125/80, DISC 130/80

**TXP
2108**



SCRAPER 63 X73 X 7,
SCRAPER 80 X 92 X 12, SCRAPER 85 X 97 X 12

**TXP
2109**



SEALING GLAND SET 80/100 X 40,
SEALING GLAND SET 70/85 X 22,5

**TXP
2110**



GUIDE BUSHING 2023 120/80

**TXP
2111**



GUIDE BUSHING 1200-2023

**TXP
2112**



GUIDE BUSHING 2023 130/80

**TXP
2113**



GUIDE BUSHING 2525 120/85

**TXP
2114**



TENSION RING 1200-2023

**TXP
2115**



TENSION RING

**TXP
2116**



SEAL GLAND SET 85/105 X 40,
SEALING GLAND SET 45/65 X 27.5

**TXP
2117**



SEALING GLAND SET 63/83,
SEALING GLAND SET 60/80 X 37

TXP
2118



AGITATOR SHAFT 117 cm

TXP
2119



AGITATOR SHAFT 119 cm

TXP
2120



AGITATOR SHAFT 139 cm

**TXP
2121**



HYDRAULIC MOTOR Ø31.75

**TXP
2122**



SEALT SET

**TXP
2123**



SHAFT FOR OEM HYDRAULIC MOTOR

**TXP
2124**



WEDGE

**TXP
2125**



THREADED BOLT

**TXP
2126**



WEDGE

**TXP
2127**



HOLDING BOLT

**TXP
2128**



AGITATOR BEARING

**TXP
2129**



SUPPORT

**TXP
2130**



FLANGE SHAFT

**TXP
2131**



COVER

**TXP
2132**



DISC

**TXP
2133**



DISC

**TXP
2134**



FLANGE BEARING

**TXP
2135**



SEALING

**TXP
2136**



AGITATOR BEARING

**TXP
2137**



SUPPORT

**TXP
2138**



FLANGE SHAFT

**TXP
2139**



BUSHING

**TXP
2140**



SUPPORT NEW

**TXP
2141**



FLANGE SHAFT NEW

**TXP
2142**



SUPPORT

**TXP
2143**



FLANGE BUSHING

**TXP
2144**



DISC D 60/95 X 5

**TXP
2145**



FLANGED BEARING CLOSED

**TXP
2146**



FLANGED BEARING OPEN

**TXP
2147**



SEALING CONE

**TXP
2148**



FLANGED SHAFT (BEARING SIDE)

**TXP
2149**



FLANGED SHAFT (GEAR SIDE)

**TXP
2150**



BUSHING D 56/D 45 X 45

**TXP
2151**



PISTON BUSHING

**TXP
2152**



FLAT GATE VALVE 180/55/25

**TXP
2153**



FLAT GATE VALVE DN 210

**TXP
2154**



SHEEL 180/55/25

**TXP
2155**



SHEEL 210

**TXP
2156**



PLUNGER HOUSING

**TXP
2157**



PLUNGER HOUSING

**TXP
2158**



GUIDE SLEEVE

**TXP
2159**



CASTELLATED FLANGE

**TXP
2160**



BUSHING

**TXP
2161**



BUSHING

**TXP
2162**



SAFETY RING DIN 471 35 X 1,5

**TXP
2163**



PISTON BOLT

**TXP
2164**



BEARING BUSHING

**TXP
2165**



SEALING RING

**TXP
2166**



SPACING RING

**TXP
2167**



PISTON DISC

**TXP
2168**



COUPLING

**TXP
2169**



FORM LACE RING 50 X 16

**TXP
2170**



O-RING 65 X 3, O-RING 70 X 5

**TXP
2171**



PISTON CONNECTION

**TXP
2172**



PISTON CONNECTION

**TXP
2173**



PIVOT

**TXP
2174**



EXTENSION 200 MM

**TXP
2175**



THREADED PIN M 75 X 2

**TXP
2176**



CLUTCH

**TXP
2177**



TOOTHED WHEEL ROTEX 28/38

**TXP
2178**



CLUTCH

**TXP
2179**



CLUTCH

**TXP
2180**



HOLLOW SHAFT

**TXP
2181**



GEARSHIFT FORK WITH ROD

**TXP
2182**



GEAR Z58

**TXP
2183**



GEAR Z52

**TXP
2184**



GEAR Z46

**TXP
2185**



SHAFT - INPUT, 4190 403 / 419 2 102

**TXP
2186**



PINION GEAR 30Z

**TXP
2187**



PINION GEAR

**TXP
2188**



GEAR 27 TEETH

**TXP
2189**



GEAR 36 TEETH

**TXP
2190**



HOLLOW SHAFT

**TXP
2191**



DRIVE FLANGE

**TXP
2192**



COUPLING 17,5X50X48

**TXP
2193**



COUPLING 22,5X50X48

**TXP
2194**



COUPLING 31,5X50X50

**TXP
2195**



COUPLING 36x50x50

**TXP
2196**



DRIVE PINION 18 TEETH

**TXP
2197**



DRIVE TOOTHED WHEEL 73 TEETH

**TXP
2198**



ALUMINIUM COUPLING DN 125 5.5"

**TXP
2199**



HOUSING OPPOSITE SIDE, HOUSING DRIVE SIDE

SCHWING

Spare Parts For Concrete Pump & Mixer

TRADEXPER



TXP
2200



REDUCTION ELBOW

TXP
2201



2. OUTLET ELBOW DN180

TXP
2202



14 DEGREE ELBOW

TXP
2203



SEAL FOR 6" ELBOW

TXP
2204



O RING FOR 14 DEGREE ELBOW

TXP
2205



CUP TYPE COUPLING DN 180

**TXP
2206**



ELBOW DN 150 DEGREES M/F JOINT

**TXP
2207**



TAPERED BEND DN 180/150 90 DEGREES

**TXP
2208**



CUP-TENSION CLAMP DN 150 WITH WEDGE-TYPE LOCK

**TXP
2209**



CLAMP 5 1/2" WITH SUPPORT

**TXP
2210**



SCREW TYPE COUPLING 5,5"

**TXP
2211**



HINGE

**TXP
2212**



ELBOW 5,5" 90 DEGREE

**TXP
2213**



LAMINATED ELBOW 5,5" 90 DEGREE

**TXP
2214**



ELBOW 5,5" 45 DEGREE

**TXP
2215**



ELBOW 5,5" 30 DEGREE

**TXP
2216**



ELBOW 5,5" 15 DEGREE

**TXP
2217**



ELBOW 5,5" 10 DEGREE

**TXP
2218**



U CLAMP

**TXP
2219**



TUBE SUPPORT

**TXP
2220**



ELBOW 5,5" 32,5 DEGREE

**TXP
2221**



ELBOW 6" 32,5 DEGREE

**TXP
2222**



ELBOW 6" 40 DEGREE

**TXP
2223**



ELBOW 6" 45 DEGREE

**TXP
2224**



ELBOW 6" 50 DEGREE

**TXP
2225**



ELBOW 100 mm EXTENSION

**TXP
2226**



TIGHTENING STRAP

**TXP
2227**



ELBOW 340 mm EXTENSION

**TXP
2228**



REDUCER 3000 mm

**TXP
2229**



REDUCER 2500 mm

**TXP
2230**



REDUCER 1600 mm

**TXP
2231**



REDUCER 1240 mm

**TXP
2232**



REDUCER 1550 mm DN150/125

**TXP
2233**



REDUCER 1500 mm DN180/150

**TXP
2234**



REDUCER 1500 mm DN150/125

**TXP
2235**



REDUCER 1460 mm DN150/125

**TXP
2236**



SEAL:2,5", 3", 3,5", 4", 4,5", 5", 5,5", 6", 8", 10"

**TXP
2237**



FLANGE 5,5"

**TXP
2238**



V LIP SEAL 4,5", 5,5"

**TXP
2239**



FLANGE 5,5"

**TXP
2240**



LIP SEAL 5,5"

**TXP
2241**



FLANGE 5,5"

**TXP
2242**



CLEANING BALL

**TXP
2243**



CLAMP TYPE COUPLING 5.5"

TXP
2244 3 mt END HOSE DOUBLE FLANGE

TXP
2245 3,5 mt END HOSE DOUBLE FLANGE

TXP
2246 3,5 mt END HOSE DOUBLE FLANGE



TXP
2247 3 mt END HOSE SINGLE FLANGE

TXP
2248 3,5 mt END HOSE SINGLE FLANGE

TXP
2249 3,5 mt END HOSE SINGLE FLANGE



TXP
2250



5,5" DELIVERY PIPE / The pipes can be manufactured at various lengths and diameters.

**TXP
2251**



FILTER

**TXP
2252**



FILTER

**TXP
2253**



FILTER

**TXP
2254**



FILTER

**TXP
2255**



FILTER

**TXP
2256**



FILTER

**TXP
2257**



FILTER

**TXP
2258**



FILTER

**TXP
2259**



WATER PUMP

**TXP
2260**



REPAIR KIT PLASTIC FOR 7560 WATER PUMP

**TXP
2261**



CLUTCH

**TXP
2262**



SUPPORT PLATE 60 x 60 x 6

**TXP
2263**



SHUTT OF VALVE MANUEL

**TXP
2264**



DISTRIBUTOR GEAR BOX

**TXP
2265**



CAULDRON RUBBER BAND 350 x 10 x 3000 mm

**TXP
2266**



HYDRAULIC PUMP 130 cm³

**TXP
2267**



HYDRAULIC PUMP 60 cm³

**TXP
2268**



HYDRAULIC PUMP

**TXP
2269**



HYDRAULIC PUMP A7VO107

**TXP
2270**



HYDRAULIC PUMP A2FO16

**TXP
2271**



HYDRAULIC PUMP A2FO23

**TXP
2272**



CONNECTION CABLE

**TXP
2273**



MAGNETIC COIL

**TXP
2274**



REMOTE CONTROL

**TXP
2275**



CARRYING STRAP

**TXP
2276**



JOY STICK

**TXP
2277**



BATTERY

**TXP
2278**



BATTERY 9.6V

**TXP
2279**



EMERGENCY PUSH BUTTON

**TXP
2280**



FLIP SWITCH

**TXP
3001**



S VALVE 2018N Ø80

**TXP
3002**



S VALVE 2018N Ø90

**TXP
3003**



SUPPORT BUSHING

**TXP
3004**



SUPPORT

**TXP
3005**



BUSHING

**TXP
3006**



WEAR BUSH

**TXP
3007**



SPACER

**TXP
3008**



FLANGE

**TXP
3009**



COVER

**TXP
3010**



BEARING

**TXP
3011**



NUT RING

**TXP
3012**



COVER

**TXP
3013**



SPACER

**TXP
3014**



COVER

**TXP
3015**



GASKET

**TXP
3016**



COMPENSATING RING

**TXP
3017**



COLLAR

**TXP
3018**



WEAR RING

**TXP
3019**



WEAR RING

**TXP
3020**



WEAR RING SURFACE HARD WELDED

**TXP
3021**



WEAR PLATE S8

**TXP
3022**



WEAR PLATE S8 SURFACE HARD WELDED

**TXP
3023**



LEVER

**TXP
3024**



BUSHING

**TXP
3025**



SHOCK ARSORBER

**TXP 3026
TXI
3026**



PIN

**TXP 3027
TXI
3027**



PIN

**TXP
3028**



SUPPORT

**TXP
3029**



SPACER

**TXP
3030**



SEEGER RING

**TXP
3031**



SEEGER RING

**TXP
3032**



SEAL SUPPORTING

**TXP
3033**



GASKET

**TXP
3034**



RING

**TXP
3035**



GASKET

**TXP
3036**



CONNECTION

**TXP
3037**



GASKET

**TXP
3038**



SEAL SUPPORTING

**TXP
3039**



WEAR PLATE DN 230 -S9

**TXP
3040**



WEARING DN 230

**TXP
3041**



SHAFT

**TXP
3042**



SHAFT

**TXP
3043**



REDUCER SUPPORT

**TXP
3044**



COVER

**TXP
3045**



FLANGE

**TXP
3046**



CYLINDER HEAD

**TXP
3047**



WEAR RING

**TXP
3048**



GASKET

**TXP
3049**



MIXER SHAFT

**TXP
3050**



MIXER PADDLE

**TXP
3051**



ROTATION CYLINDER

**TXP
3052**



PISTON ROD

**TXP
3053**



CONCRETE CYLINDER Ø230 x 2200

**TXP
3054**



SEAL SET

**TXP
3055**



KIT OF GASKETS

**TXP
3056**



WATER PUMP

**TXP
3057**



REPAIR KIT FOR WATER PUMP

**TXP
3058**



SHUTTER S8

**TXP
3059**



GASKET FOR SHUTTER S8

**TXP
3060**



ROTATION CYLINDER Q80X55X218

**TXP
3061**



TUBE FOR ROTATION CYLINDER Q80X95X270

**TXP
3062**



PISTON ROD Q55X430

**TXP
3063**



REAR PLUG

**TXP
3064**



BREAKING WASHER Q80X30X20

**TXP
3065**



GUIDE BUSH

**TXP
3066**



CYLINDER HEAD

**TXP
3067**



TIE ROD

**TXP
3068**



WASHER Q80X137X136

**TXP
3069**



COVER Q80X180X32

**TXP
3070**



FLANGE 218XM140X2X40

**TXP
3071**



SEAL SET

**TXP
3072**



HYDRAULIC CYLINDER Q120X80X2000

**TXP
3073**



CASTING BARREL WITH CASTING
GUIDE BUSH Q120X145X2117

**TXP
3074**



ROD 80X2395

**TXP
3075**



PISTON Q120XM50X1,5X68

**TXP
3076**



REAR PLUG Q175X110

**TXP
3077**



BREAKING WASHER Q115X32X50

**TXP
3078**



HEAD Q125X70X105

**TXP
3079**



COVER Q140X70X51

**TXP
3080**



FLANGE Q180XM135X2X40

**TXP
3081**



SEAL SET

**TXP
3082**



HYDRAULIC CYLINDER Q115X70X1500

**TXP
3083**



CYLINDER BARREL Q115X140X1610

**TXP
3084**



ROD Q70X1880

**TXP
3085**



PISTON Q115XM45X1,5X65

**TXP
3086**



BOTTOM Q175X110

**TXP
3087**



BREAKING WASHER Q115X32X50

**TXP
3088**



GUIDE BUSH

**TXP
3089**



HEAD Q125X70X106

**TXP
3090**



COVER Q140X70X56

**TXP
3091**



SEAL SET

**TXP
3092**



REDUCTION ELBOW 7"- 6"

**TXP
3093**



ELBOW 90 DEGREE R=190

**TXP
3094**



2ND ELBOW 6" S3000

**TXP
3095**



ELBOW 90 DEGREE DN125

**TXP
3096**



ELBOW 6"

**TXP
3097**



ELBOW 60 DEGREE

**TXP
3098**



ELBOW 30 DEGREE

**TXP
3099**



ELBOW 30 DEGREE DN125

**TXP
3100**



1. OUTLET ELBOW DN180 90 DEGREE NEW MODEL

**TXP
3101**



2. OUTLET ELBOW DN150 90 DEGREE

**TXP
3102**



1. OUTLET ELBOW COUPLING

**TXP
3103**



REDUCER PIPE S3000

**TXP
3104**



CLAMP

**TXP
3105**



HYDRAULIC CYLINDER

**TXP
3106**



GEARED MOTOR

**TXP
3107**



GEARED MOTOR COUPLING

**TXP
3108**



BATTERY

**TXP
3109**



BATTERY

**TXP
3110**



CONTROL PANEL

**TXP
4001**



S VALVE

**TXP
4002**



WEAR PLATE WELDED TYPE

**TXP
4003**



WEAR PLATE CASTING

**TXP
4004**



WEAR RING CASTING

**TXP
4005**



WEAR RING HARD FACE

**TXP
4006**



RING

**TXP
4007**



SEAL RING

**TXP
4008**



RING NUT

**TXP
4009**



GASKET

**TXP
4010**



RING

**TXP
4011**



RING

**TXP
4012**



GASKET

**TXP
4013**



SPOT

**TXP
4014**



COVER

**TXP
4015**



BUSHING

**TXP
4016**



WEAR PLATE CASTING

**TXP
4017**



PIN

**TXP
4018**



CYLINDER

**TXP
4019**



JOINT HEAD

**TXP
4020**



PISTON 123,7*M55*2*89

**TXP
4021**



GUIDE BUSHING

**TXP
4022**



GUIDE BUSH 127*82*126

**TXP
4023**



PIN

**TXP
4024**



FLANGED SLEEVE

**TXP
4025**



RING

**TXP
4026**



BUSHING

**TXP
4027**



COVER

**TXP
4028**



COUPLING

**TXP
4029**



GASKET

**TXP
4030**



BRONZE BUSHING

**TXP
4031**



COUPLING

**TXP
4032**



RING

**TXP
4033**



RING

**TXP
4034**



RING

**TXP
4035**



GASKET

**TXP
4036**



UNION

**TXP
4037**



UNION

**TXP
4038**



RING

**TXP
4039**



UNION INSIDE HARD WELDED

**TXP
4040**



PISTON RAM 180

**TXP
4041**



PISTON RAM 200

**TXP
4042**



PISTON RAM 230

**TXP
4043**



PISTON HEAD 125 mm

**TXP
4044**



BUSHING

**TXP
4045**



MAIN HYDRAULIC CYLINDER

**TXP
4046**



CONNECTOR

**TXP
4047**



MIXING SHAFT

**TXP
4048**



DRIVE PIN

**TXP
4049**



MIXING PADDLE

**TXP
4050**



DRIVE PIN

**TXP
4051**



SLIDING CLUCH HOUSING

**TXP
4052**



HOLLOW SHAFT

**TXP
4053**



GEAR Z53

**TXP
4054**



GEAR Z31

**TXP
4055**



GEAR Z10

**TXP
4056**



GEAR Z10

**TXP
4057**



FIRST ELBOW

**TXP
4058**



SECOND ELBOW

**TXP
4059**



REDUCED PIPE

**TXP
4060**



LEVER COUPLING

**TXP
4061**



35 DEGREE ELBOW

**TXP
5001**



WATER PUMP GEAR TYPE NSTIII

**TXP
5002**



WATER PUMP SHAFT TYPE

**TXP
5003**



WATER PUMP LT TYPE

**TXP
5004**



COMPLETE SET

**TXP
5005**



IMPELLER SHAFT

**TXP
5006**



IMPELLER SHAFT

CONCRETE MIXER

Spare Parts For Concrete Pump & Mixer

TRADEXPER

**TXP
5007**



GEAR

**TXP
5008**



BEARING

**TXP
5009**



PLASTIC COUPLING

**TXP
5010**



SEAL SET

**TXP
5011**



IMPELLER

**TXP
5012**



S HOSE

**TXP
5013**



FITTINGS COMPLETE

**TXP
5014**



FITTINGS

**TXP
5015**



FILLING CHUTE

**TXP
5016**



DISCHARGE CHUTE

**TXP
5017**



V CHUTE

**TXP
5018**



SEAL FOR V CHUTE

**TXP
5019**



CHUTE SHORT

**TXP
5020**



EXTENSION CHUTE

CONCRETE MIXER

Spare Parts For Concrete Pump & Mixer

TRADEXPER

**TXP
5021**



COUPLING 23 TEETH

**TXP
5022**



COUPLING 21 TEETH

**TXP
5023**



CHUTE HOLDER

**TXP
5024**



CHUTE LOCK

**TXP
502F**



FLAT PLASTIC CHUTE

**TXP
5026**



FLAT PLASTIC CHUTE SHORT

**TXP
5027**



PLASTIC EXTENSION CHUTE

**TXP
5028**



PLASTIC EXTENSION CHUTE SHORT

TXP
5029



HYDRAULIC SET

TXP
5030



LIEBHERR TYPE CHUTE SUPPORT MANUAL

TXP
5031



HYDRAULIC CYLINDER

TXP
5032



ALUMINIUM TANK

TXP
5033



HAND PUMP

CONCRETE MIXER

Spare Parts For Concrete Pump & Mixer

TRADEXPER

**TXP
5034**

PNEUMATIC SYSTEM

**TXP
5035**



MIXER FELT 110X160X13/49

**TXP
5036**



MIXER FELT 113X150X12/50

**TXP
5037**



MIXER FELT 125X180X13/49

**TXP
5038**



MIXER FELT 145X215X14/65

**TXP
5039**



CMP 2513

**TXP
5040**



BEARING

**TXP
5041**



CABLE 5 MT
CABLE 5,5 MT
CABLE 6 MT
CABLE 6,5 MT
CABLE 7 MT
CABLE 7,2 MT
CABLE 7,5 MT
CABLE 7,7 MT

BUSH SET DN 110

**TXP
5042**



CABLE 8 MT
CABLE 8,5 MT
CABLE 9 MT
CABLE 10 MT
CABLE 12 MT

ROLLER 280 x 160 x 110 EXTERNAL

**TXP
5043**



CABLE LIEBHEER 7.3 MT
CABLE 7.5MT (gas cable)
CABLE 5.6MT (liebheer type)
CABLE 5.4MT (cifa type)
CABLE 7.1 MT Operation cable
CABLE 6 MT- (liebheer)
CABLE LIEBHEER 7.3 MT
CABLE LIEBHEER 7.8 MT
CABLE LIEBHEER 9.2 MT

ROLLER 200 x 110 x 105 COMPLETE DIA 35mm

**TXP
5044**



CONTROL BOX DOUBLE

**TXP
5045**



CONTROL BOX SINGLE

CONCRETE MIXER

Spare Parts For Concrete Pump & Mixer

TRADEXPER

**TXP
5046**



WATER METER 1000 LT

**TXP
5047**



BALLANCA BALL

**TXP
5048**



PROPELLER SHAFT 6 HOLES DIA.100MM

**TXP
5049**



PROPELLER SHAFT 6 HOLES DIA.100MM

**TXP
5050**



BOLTED LADDER GUARD

**TXP
5051**



MIXER START-STP SWICHTH

**TXP
5052**



THERMO SWICHTH 3 STEPS

**TXP
5053**



THERMO SWICHTH 4 STEPS

**TXP
5054**



M.20X18 cm	M.20X27 cm
M.20X20 cm	M.20X29 cm
M.20X22 cm	M.20X31 cm
M.20X24 cm	M.20X20 cm
M.20X26 cm	M.20X22 cm
M.20X28 cm	M.20X24 cm
M.20X23 cm	M.20X26 cm
M.20X25 cm	

**TXP
5056**



THRUST PIECE

**TXP
5057**



BRACKET

**TXP
5058**



THRUST PIECE

**TXP
5059**



THRUST PIECE

**TXP
5060**



EXTENSION CHUTE STEP

**TXP
5061**



SEAL FOR MANHOLE COVER

CONCRETE MIXER

Spare Parts For Concrete Pump & Mixer

TRADEXPER

**TXP
5062**



OIL COLLER

**TXP
5063**



FILTER

**TXP
5064**



FILTER COMPLETE

**TXP
5065**



FAN 10"

**TXP
5066**



FAN 11"

**TXP
5067**



FAN 12"

**TXP
5068**



COMPLETE ROLLER 280X160X90

**TXP
5069**



EMPTY ROLLER 280X160X90

**TXP
5070**



COMPLETE ROLLER 280X160X110

**TXP
5071**



EMPTY ROLLER 280X160X110

**TXP
5072**



COMPLETE ROLLER 280X160X90

**TXP
5073**



EMPTY ROLLER 250X160X90

**TXP
5074**



COMPLETE ROLLER 250X160X110

**TXP
5075**



EMPTY ROLLER 250X160X110

CONCRETE MIXER

Spare Parts For Concrete Pump & Mixer

TRADEXPER

**TXP
5076**



COMPLETE ROLLER 200X160X110

**TXP
5077**



EMPTY ROLLER 200X160X110

**TXP
5078**



COMPLETE ROLLER 250X130X90

**TXP
5079**



ROLLER 250X130X90

**TXP
5080**



COMPLETE ROLLER 250X130X110

**TXP
5081**



EMPTY ROLLER 250X130X110

**TXP
5082**



**TXP
5083**



COMPLETE ROLLER 248X130X120

**TXP
5084**



EMPTY ROLLER 280X110X90

**TXP
5085**



COMPLETE ROLLER 280X110X90

**TXP
5086**



EMPTY ROLLER 250X110X90

**TXP
5087**



COMPLETE ROLLER 250X110X90

**TXP
5088**



EMPTY ROLLER 260/110X90

**TXP
5089**



COMPLETE ROLLER 260/110X90

**TXP
5090**



EMPTY ROLLER 250X130X120

**TXP
5091**



COMPLETE ROLLER 250/130X120

CONCRETE MIXER

Spare Parts For Concrete Pump & Mixer

TRADEXPER

**TXP
5092**



EMPTY ROLLER 250X130X120

**TXP
5093**



COMPLETE ROLLER 250X130X120

**TXP
5094**



EMPTY ROLLER 220X110X90

**TXP
5095**



COMPLETE ROLLER 220X110X90

**TXP
5096**



EMPTY ROLLER 200X110X110

**TXP 7
5097**



COMPLETE ROLLER 220X110X110

**TXP
5098**



EMPTY ROLLER 200X110X104

**TXP 9
5099**



COMPLETE ROLLER 200X110X104

**TXP
5100**



BEARING 32310

**TXP
5101**



BEARING 30312

**TXP
5102**



BEARING 32312

**TXP
5103**



BEARING 30315

**TXP
5104**



PIN 25 MM

**TXP
5105**



PIN 35 MM

**TXP
5106**



PIN 40 MM

**TXP
5107**



PLASTIC ROLLER COVER

CONCRETE MIXER

Spare Parts For Concrete Pump & Mixer

TRADEXPER

**TXP
5108**



COVER 110 MM

**TXP
5109**



COVER 130 MM

**TXP
5110**



COVER 160 MM

**TXP
5111**



COUPLING

**TXP
5112**



COVER 160 MM

**TXP
5113**



ECO LID SEAL

**TXP
5114**



BELLOWS

**TXP
5115**



COUPLING

**TXP
5116**



GEAR BOX 8M³

**TXP
5117**



SVP23 HYDRAULIC PUMP

**TXP
5118**



HBR TYPE GEAR BOX

**TXP
5119**



ELECTRIC MOTOR

**TXP
5120**



REDUCTOR

**TXP
5121**



SCREW CONVEYOR

CONCRETE MIXER

Spare Parts For Concrete Pump & Mixer

TRADEXPER

**TXP
5122**



12.7 m³ DRUM

**TXP
5123**



PLASTIC MUDGUARD

**TXP
5124**



PLASTIC COUPLING

**TXP
5125**



DUMP TRUCK SPRING LEAF



**TXP
5126**



CONCRETE BATCHING PLANTS

**TXP
5127**



CONCRETE BATCHING PLANTS SPARE PARTS

CONCRETE BATCHING PLANTS

Spare Parts For Concrete Pump & Mixer



**TXP
5128**



PNEUMATIC ACTUATOR MICRO SWITCH

**TXP
5129**



PADDLE TYPE LEVEL INDICATOR

**TXP
5130**



CAPACITIVE MOISTURE PROBE BASIC TYPE

**TXP
5131**



FILTERS

TXP
5132



PLASTIC HOSE AND FITTINGS

TXP
5133



PNEUMATIC CHECK VALVES

TXP
5134

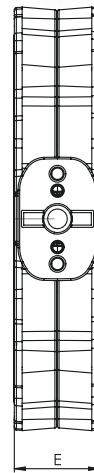
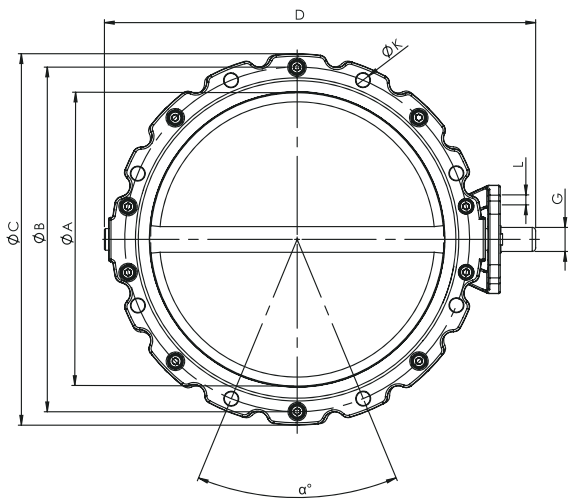


PNEUMATIC VALVES

CONCRETE BATCHING PLANTS

Spare Parts For Concrete Pump & Mixer

TRADEXPER



	ØA	ØB	ØC	D	E	ØK	L	α	Z	ØG
	mm	mm	mm	mm	mm	mm	mm	mm	mm	DIN 5482
TXP	100	180	214	250	77	14	M12	90°	4	22X19
5135 TXP	150	200	225	286	77	14	M12	90°	4	22X19
5136 TXP	200	250	278	336	77	14	M12	90°	4	22X19
5137 TXP	250	300	328	386	77	14	M12	45°	8	22X19
5138 TXP	300	350	378	437	77	14	M12	45°	8	22X19
5139 TXP	350	400	436	526	86	14	M12	45°	8	28X25
5140 TXP	400	470	506	580	86	14	M12	45°	8	28X25



HEAVY EQUIPMENT

Spare Parts

TRADEXPER



www.tradexper.com

Büyükkayaçkosb Mahallesi,
Lalehan Cd. No:23, 42100
Büyükkayaçkosb
Selçuklu Konya / Turkey
info@tradexper.com

Spanish & Arabic & English
+90 530 385 93 15

French & English
+90 530 385 93 14

English & Turkish
+90 534 695 21 12

TRADEXPER